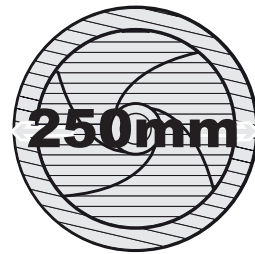


INSTRUCTION MANUAL



RECHARGEABLE FAN

AC/DC OPERATED
RECHARGEABLE FAN WITH
SUPER BRIGHT LED LIGHT



Product Code: GCL-F10R-D

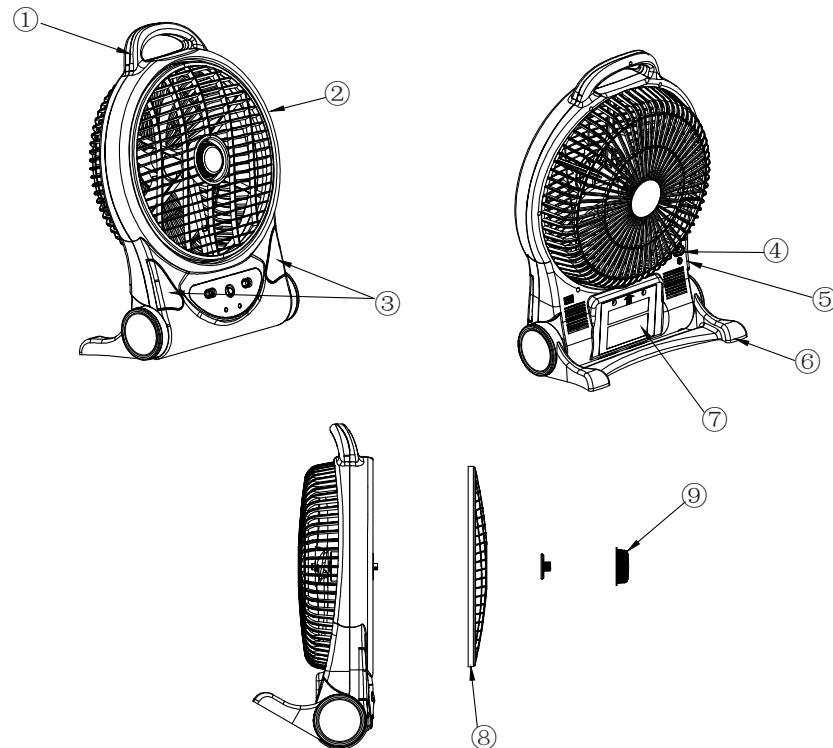
Ideal for camping and caravanning

Over charge and discharge protection

Automatic AC or DC selection

Please read these instructions before first use:

- ① Handle
- ② Body
- ③ LED Light
- ④ AC socket
- ⑤ DC socket
- ⑥ Adjustable Stand
- ⑦ Battery cover
- ⑧ Fan cover
- ⑨ Protect cover



ATTENTION :

1. Please read these instructions carefully before using the fan.
2. Before charging the fan, please ensure that the voltage indicated on the appliance corresponds with the outlet voltage .
3. Charge the fan when the light and fan goes weak.
4. Charge battery at least every three months to maintain maximum battery life.
5. Turn off the fan when not in use.
6. Do not operate above 90% humidity.
7. Do not operate below -5°C and above 40°C.
8. Avoid using near water.

OPERATING INSTRUCTONS :

1. The fan has both AC and DC modes. When plugging into 240V AC power, the fan operates in AC mode and is charging the battery at the same time. When there is no AC power source, position the selector to DC position and the fan will operate from the battery.

2. There are two fan speeds, select by low/high selector, see Figure (1).
3. To turn on or off the LED light, press the "Light" selector, see Figure (1).
4. You can select between stationary or oscillating fan direction control.
5. "Power" light indicates when the light or fan is on and the "Charge" light indicates when the battery is charging .
6. The base stand is adjustable with eight positions to choose from, see Figure (2).

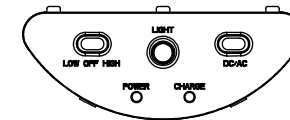


Figure (1)

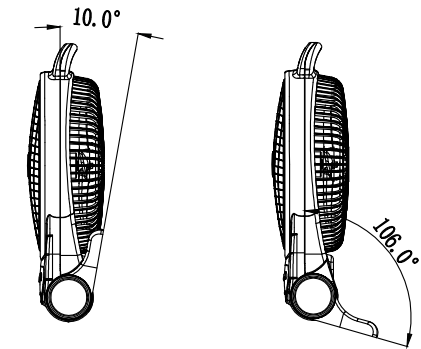


Figure (2)

HOW TO CHANGE THE BATTERY

1. Loosen and remove the securing screw on the battery cover as shown in Figure (3).
2. Loosen battery and remove cables on terminals, remove the old battery.
3. Put in new battery and connect ⊕ to red cable and ⊖ to the black cable.
4. Replace the battery cover and tighten securing screw, the fan is now ready for use.

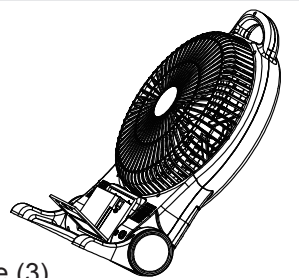


Figure (3)

HOW TO CHARGE THE FAN

1. Make sure the voltage of the mains power supply matches the voltage rating for the appliance.
2. Connect the power cord to the 240V AC outlet and position the DC selector to OFF.
3. When the red indicator lights the fan is charging.
4. It is normal to feel a small amount of heat as the battery is charging.

TECHNICAL SPECIFICATIONS

1. Input Voltage : 220V-240V 50-60Hz
2. Fan size : 250mm
3. 8pcs LED light
4. Battery : 6V 4.5AH lead acid battery
5. Charging time : 15-24H
6. Working time : LED:60H
DC high:5H low:7H
7. Max. Power : 20W
8. Size of product : 360x135x487.5mm

WARNING :



1. Please recycle correctly after life of fan. Battery is harmful to the environment.
2. If the power cord is damaged, only a qualified electrician can repair or service this fan.
3. This fan is not intended for use by persons (including children) with reduced physical, sensory or mental capabilities, or lack of experience and knowledge unless they have been given supervision or instruction concerning the use of the fan by a person responsible for their safety.
4. Children should be supervised to ensure that they do not touch the fan.