

OWNERS MANUAL



CABIN 12 x 15 TENT



CTC-1215-D

IMPORTANT SAFETY AND CARE INFORMATION

PLEASE READ BEFORE SETTING UP YOUR TENT/SHELTER

At the time of purchase we guarantee that this product is supplied without fault in construction, materials or function. We recommend that you assemble it as a trial before going away. If problems are discovered in the brand new product, they will be dealt with under our warranty.

- This product is designed as a portable and temporary structure; it is not designed to be a permanent structure or dwelling.
- Intermittent use only. Although our polyester fabrics are treated for extra UV resistance, continuous exposure to sun light will break the fabric down. Fading of colour is an early warning sign. These tents/shelters are not designed as permanent dwellings or structures.
- Do not leave this product unattended if bad weather is expected. If assembly instructions are followed correctly, this product will withstand mild winds and rain. In gusty winds and storms you must collapse the tent/shelter.
- We recommend that you discuss adding this investment to your household Insurance Policy with your Insurance Agent.

CAMP SAFE - SAFETY HABITS

The fabric may burn if left in continuous contact with a flame from any source. Also, the application of any foreign substance to the tent fabric may render the flame resistant properties ineffective.

To prevent injury caused by gas poisoning or suffocation -

- Do not use fuel burning, oxygen consuming devices inside the tent. This includes candles, gas lanterns, kerosene lamps, stoves, cooking and heating appliances
- Do not use gas appliances of any kind inside the tent/shelter

EXTREME CAUTION - Gas or fumes or lack of oxygen within the tent/shelter could result in unconsciousness, brain damage and even death



To prevent injury caused by fire -

- Do not pitch the tent/shelter near a camp fire or any other flame source
- Do not use candles, matches or any other flame source in or near the tent (this includes stoves, cooking equipment, lighting and heating appliances)
- Only use recommended water repellent compounds on the tent/shelter fly
- Do not spray tent fabrics with insecticides



To prevent injury caused by electricity -

- Always exercise care when using electricity and electric lighting in and near tents/shelters. Only use 12 volt lighting.



To prevent injury caused by your camping environment -

- Do not pitch your tent/shelter on an area that could get flooded



- Do not leave your tent/shelter erected in strong winds - collapse the tent onto the ground and seek refuge in your vehicle



- Do not pitch your tent/shelter near cliffs in case of collapse or rock fall



- Do not pitch your tent/shelter under trees with dead branches or under trees known to drop branches

Product Code - CTC-1215-D

Thank you for purchasing a superior OZtrail product. Please keep this Owners Manual in a safe and dry place, it contains important and helpful information.

IMPORTANT

We recommend that you set up this product before you leave for your trip. Check that all parts are present and that you familiarise yourself with the assembly and disassembly of the product. If you have any problems, your OZtrail dealer will be able to sort it out for you.

You should have the following parts: -

Product Code - CTC-1215-D

PART DESCRIPTION

- 2 x Adjustable Pole 90° bend short (010)
- 2 x Adjustable Pole 90° bend long (011)
- 1 x Floor Pole (021)
- 1 x Double C Clip Adjustable Spreader (030)
- 2 x Fixed Pole 90° bend (060)
- 4 x Awning Pole with Spigot 150cm (201)
- 1 x Awning Pole with Spigot 165cm (203)
- 3 x Ridge Poles (303)
- 2 x Adjustable Pole with Single C Clip (701)

PLEASE NOTE - Due to our policy of continual product development, specifications and features of the product may vary from details within this Owners Manual.

PRODUCT AND PARTS

Part Description Cont.

- 3 x Spreader Bar with Spigot (801)
- 2 x Spreader Bar (901)
- 1 x Tent Bag
- 1 x Pole Bag
- 1 x Peg Bag
- 18 x Pegs
- 6 x Guy Ropes



ASSEMBLY INSTRUCTIONS

STEP 1:

Select a sheltered camp site protected from the wind that will not allow water to pond under the tent floor. Clear a level area of all stones, twigs, etc.

Lay out tent with doors facing the desired direction.

Open doors and windows to allow air inside when standing tent up.

WARNING

Failing to open doors and windows will put excessive stress on the fabric as the tent is raised and may cause damage. This damage is not covered by warranty.

Peg down the corners of the tent. See Figure 1. Peg down all remaining peg loops.

Join tent poles sections together ensuring each section is firmly secured into the next. See Figure 2.

STEP 2: Install the ridge poles

Select the three ridge poles (303), slide one ridge pole through the sleeve that runs along the centre of the roof. Slide the remaining ridge poles through the loops along both sides of the roof. Make sure that you do not miss any loops including the webbing loops. See figure 1.

WARNING

Do not force poles through the sleeves as this may damage the sleeve. Check to ensure the pole does not snag when sliding it through the sleeve.

STEP 3: Install the upright poles

Select the 4 corner poles 2 x 060 & 2 x 010 short and the 2 centre Ridge Poles 2 x 011 long. Fold the awning back and insert the 010 through the waterproof sock into the left hand Ridge Pole. Then insert the 011 long into the centre Ridge Pole the same way, then insert the 010 into right hand Ridge Pole the same way. Note that the 010 Poles are adjustable. This allows you to move the poles away from the doorways while extending them firmly upwards. Now go to the rear of the tent and do the same. The 060 Poles are for the left and right hand Ridge Poles and the 011 long is for the centre Ridge Pole. See figure 2.

STEP 4: Standing the tent up

With a friend at one end of the tent and you at the other end of the tent, lift one side of the tent until the side wall is fully upright and the corner upright poles (Front 010 & Rear 060) support the side of the tent. Repeat this for the other side of the tent, the tent should now be supported by the four corner uprights. Lift the two adjustable centre upright poles (011) and adjust height until tent sits correctly.

WARNING

Do not push the poles up too high as this may cause damage to the fabric. This damage is not covered by warranty.

IMPORTANT

1. After unpacking the tent, use the check list on page 4 to make sure you have all the parts.

2. You need to condition your Canvas tent/shelter before use.

See page 12 - CONDITIONING YOUR NEW CANVAS TENT/SHELTER

ASSEMBLY INSTRUCTIONS

STEP 5: Install the internal frame

Collect the internal centre upright pole (030), the internal floor pole (021) and the internal side upright poles (701). Enter the tent through the front door. Lay the internal floor pole (021) on the floor behind the internal dividing wall across the tent. Fit the internal side upright poles (701) by slipping the "C" clip end up through the slot and onto the side ridge pole (303) where the top edge of the side walls joins the roof, connect the other end into the internal floor pole (021). Ensure the "C" clip connects correctly to the side ridge pole (303) and adjust length so the side ridge pole (303) of the tent is parallel with the ground. Repeat this procedure for the other Internal side upright pole (701). Select the internal centre upright pole (030) and connect The "C" clip to the center ridge pole (303) and connect the "C" clip on the opposite end onto the internal floor pole (021). Making sure the internal centre upright pole (030) is vertical, adjust the height to ensure the centre ridge pole (303) is parallel to the ground.

STEP 6: Erect the Front awning

Begin by selecting the three horizontal ridge awning poles (801) to attach to the three front upright poles (010 & 011) under the awning. Insert the tip of the right angle spigot into the hole on the front of the elbow and adjust the pole length to match the length of the awning. Select the centre upright awning pole (203) and with a friend place the ends of the two left to right ridge awning poles (901) with holes onto the spigot of the centre ridge upright (203) (ensure the adjustment screw for the awning poles are facing down). Position the spigot of this assembly through the hole in end of the centre awning ridge pole (801) and then through eyelet in the awning, attach a guy rope and peg down. Ensure peg point is approximately 1.5 – 2m from pole base. Repeat this procedure for the two corner awning upright poles (201) and side awning ridge poles (801) while remembering to attach the other end of the left to right ridge awning poles (901) through the corner upright spigot.

Attach the guy ropes to the webbing tabs along each side of the awning roof.

Tension all adjustable poles and guy ropes so the roof sits taut and will not hold water.

WARNING

If the awning is not tensioned correctly, water will pond and may cause damage to the fabric and poles. This damage is not covered by warranty.

STEP 7: Erect the side awning

Open side entrances as required to erect awnings select awning poles (201) and position top of pole through eyelet in awning. Attach guy rope to top of pole and peg down. It is recommended awnings are lowered during heavy rain.

STEP 8: Install room divider

The divider has toggles on the edges which attach to the fabric loops inside the tent. To install the curtain, push each toggle through its corresponding loop inside the tent.

Figure 1

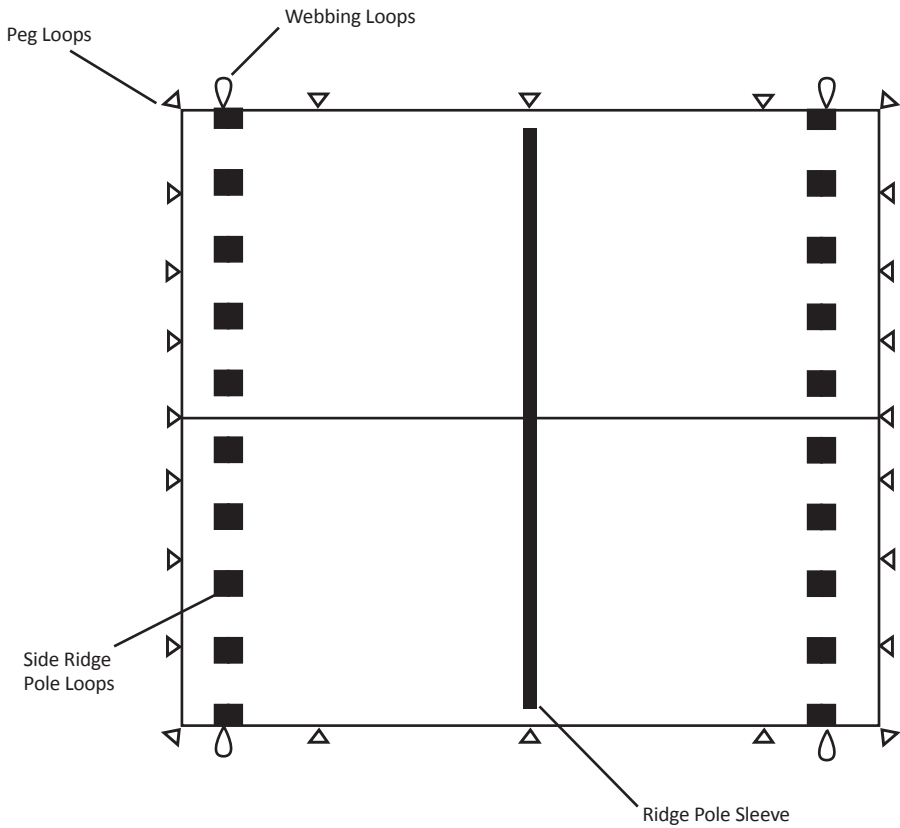
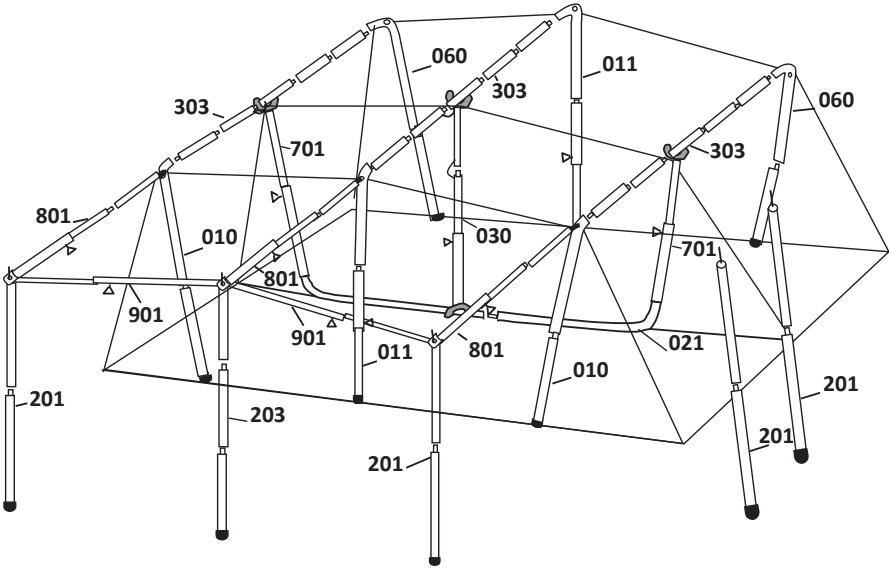


Figure 2



DISASSEMBLY INSTRUCTIONS

STEP 1:

Release guy ropes.

STEP 2:

Unzip doors and windows and collapse the tent, removing and disassembling the poles. Place the poles in the pole carry bag and tie shut.

STEP 3:

Remove pegs.

Do not remove pegs from the ground by pulling on peg loops.

This may cause the peg loops to tear out of the seam.

STEP 4:

Spread the tent out flat with all loose fabric within the edges of the tent base.

Try to flatten the tent as much as possible.

STEP 5:

Fold the tent in half, third or quarters.

The folded tent should be the width of the pole bag.

STEP 6:

Beginning at the back end, roll your tent tightly, forcing out excess air as you roll.

Keep tent edges straight as you roll.

STEP 7:

When tent is rolled up, tie straps around it and place into tent carry bag with peg bag, instruction sheet, and other miscellaneous parts. If tent won't fit into bag, unroll and re roll more tightly.

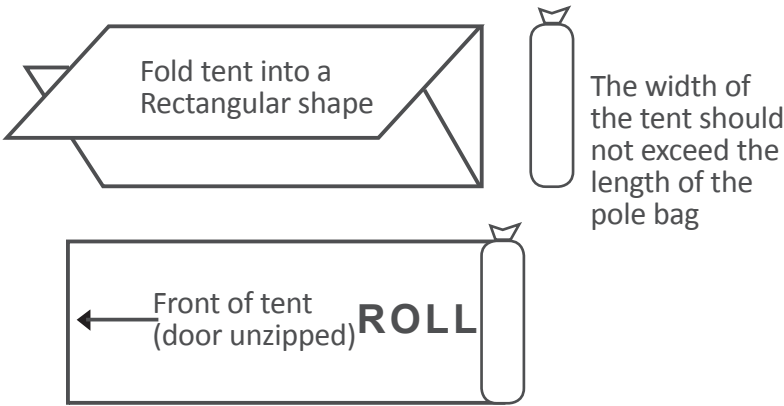
Important

Do not store your tent away wet, damp or dirty. If you have no choice but to return home from your camping trip with a wet, damp or dirty tent, make sure you lay it out to air in a cool, dry and shaded place and only pack it away when it is completely dry and clean.

**Do not remove pegs from the ground by pulling on peg loops.
This may cause the peg loops to tear out of the seam.**

FOLDING INSTRUCTIONS

Figure 3



PROLONGING THE LIFE OF YOUR TENT/SHELTER

- Intermittent use only. Although our fabrics are treated for extra UV resistance, continuous exposure to sun light will break the fabric down. Fading of colour is an early warning sign. These tents/shelters are not designed as permanent dwellings or structures.
- During rain always lower awnings to avoid water ponding and collapsing the awning.
- If seam seal tape is lifting, simply cut the lifted tape off and apply seam sealer to the seam.
- Never store a wet and/or soiled tent/shelter; as mildew and corrosion can form within a few days. This condition is not covered by the warranty. Always allow the tent to dry completely before packing and stowing. If mildew occurs, use a soft bristle brush or sponge with mild detergent to clean it off.
- The elastic shock cord within the poles is provided for easy assembly of the poles. The shock cord is not required for any structural reason. The poles and tent perform perfectly well without the shock cord. Age, over stretching and mishandling may cause failure. Shock cord is not covered by warranty. It's easy to replace, see instructions.
- Sometimes the zipper coil bursts open or does not close. This could be due to wear or metal fatigue. The problem can be easily fixed, see instructions.
- First aid for tears and ash burns is to carry a roll of tape, industrial or medical. This not only blocks the hole, it will prevent further tearing. It could have other uses around the camp site too.
- When removing pegs, do not use the webbing or corner of the tent as your handle. Either use another peg, a peg remover or the claw of a hammer hooked under the peg to remove them.

IMPORTANT - CONDITIONING YOUR NEW CANVAS TENT

Once you get your new tent home, it is important to condition the tent. Simply pitch your tent and wet it down with your garden hose. Pay particular attention to the seams - the thread swells when wet and blocks the needle holes. The needle holes also shrink around the thread. The canvas fabric also benefits from this because the cotton swells into the weave and the waterproof treatment settles within the fabric. Let the tent dry completely before doing it a second time. Always pack your tent away dry.

UNDERSTANDING WATERPROOFNESS

What is not covered by warranty!

OZtrail tents use waterproof and water repellent fabrics. However, with the addition of seams, zips and other desirable features a recreational tent will not be as waterproof as a car, house or other solid structures. The following are common examples of how water can enter a tent: -

Condensation - When warm moist air meets cooler air, condensation occurs. The tent/shelter fly forms an impermeable layer between the inside and outside conditions. The moisture inside the tent/shelter condenses on the fabric. Sometimes in cold conditions it appears that the fabric is leaking when in fact the cause is condensation. Condensation can be reduced if the tent/shelter is well ventilated.

Zips - All care is taken in the design to cover zips with rain flaps. At times wind driven rain could force water under the rain flaps and through the zips. To minimise this, make sure all doors and windows are closed with the rain flaps covering the zips.

Floor - If the ground is very wet or water pools under the floor, downward pressure of standing or kneeling on the floor could force water through the floor fabric. To prevent this, do not pitch the tent over hollows and make sure water drains away from the tent.

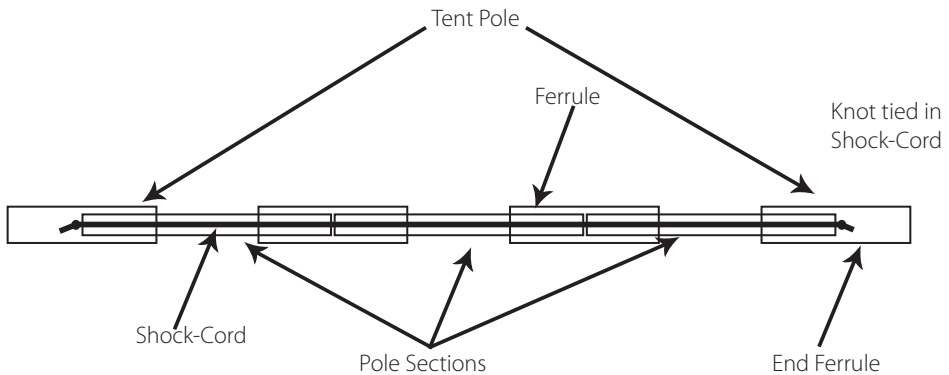
Structural Integrity - A perfectly pitched tent on perfectly flat ground is structurally strong and most waterproof. During prolonged periods of rain and wind it may be necessary to tighten guy lines and reset the tent pegs and attend to drainage around the tent. Sagging and incorrect pitching weakens the tent structure and could allow water to pool on the fly placing undue forces on the tent causing leaking and breakages.

REPLACING SHOCK-CORD IN TENT POLES

Use this procedure to replace broken or untied Shock-Cord:-

1. Start by cutting the Shock-Cord to 2/3's the length of the Tent Pole
2. Feed the cord through the first pole section and tie a double knot. The knot will catch on the end of the fibreglass pole inside the ferrule.
3. Stretch the Shock-Cord through each Pole Section keeping the cord stretched within the poles so you have enough relaxed cord to feed through the next Pole Section.
4. Once all Pole Sections are threaded, double check that the Shock Cord tension is not either too loose or too tight and then tie-off the free end.

Shock-cord can be purchased by the metre from Camping Stores or with Pole Repair Kits.



Zips

Reducing the risk of jamming fabric in the zip ~

- When using the zip, hold the pull-tab between your thumb and forefinger with your thumb facing you.
- As you are closing the zip clear the way in front and under the zip slider using the back of your hand, and cup the zip slider underneath with your remaining 3 fingers.

Use this action for opening or closing. Keep the fabric clear of the zip slider - zip and unzip slowly.

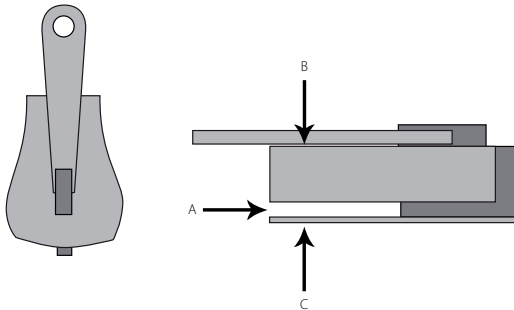
What to do when the zipper gets caught ~

- Pull the fabric bit by bit out of the slider. Do not try and pull all the fabric in one go. Do not force the slider, or use pliers on either the fabric or the zip.

If the slider does not close the zipper properly ~

- With use, the jaws of the zip slider can open ever so slightly. When this occurs the slider does not compress the zip teeth or coil together tightly enough and the zip bursts open or does not close.
- Undo the zip and with the slider at the end of the zip lightly crimp the jaws of the slider together. Try top to bottom axis first and then side to side axis.

Crimping A Zip-Slider



The most common reason why zips burst open is that the zip slider does not close the coil tightly enough. Metal fatigue and production variances cause the gap marked A to open up.

By simply ‘crimping’ the slider together at points B & C with a pair of pliers, this solves the problem most of the time. Crimping in other planes is worth a try if B & C does not work. This is to be done when the zip slider is still attached to the zip in the open position.



WARRANTY

OZtrail warrants this product against defects for a period of two years from the date of purchase. OZtrail will repair or replace the product, at its discretion, should a warrantable defect arise within the warranty period. If the exact model is unavailable a model of equivalent nature will be substituted at our discretion. This warranty excludes faults and failures caused by improper use and abuse; fair wear and tear; or failure to follow instructions regarding care and maintenance.

Products used for a commercial nature are not covered by this warranty against defects. A warranty may be claimed by returning the product to its place of purchase, with a detailed proof-of-purchase clearly showing the date and detail of the purchase. You may also contact OZtrail Leisure Products, by phone: 07 3193 1110, or in writing: PO Box 1110, Eagle Farm QLD 4009, by email: warranty@oztrail.com.au. The benefits under OZtrail's warranty against defects are in addition to other rights and remedies under law in relation to goods.

Our goods come with guarantees that cannot be excluded under the Australian Consumer Law. You are entitled to a replacement or refund for a major failure and for compensation for any other reasonably foreseeable loss or damage. You are also entitled to have the goods repaired or replaced if the goods fail to be of acceptable quality and the failure does not amount to a major failure.

For more detailed information and an explanation of these terms see
www.oztrail.com.au/warranty

See our website for the full OZtrail range or

 facebook.com/OZtrailAustralia.

Made in China
Designed & Imported by:
OZtrail Leisure Products
71 Charles Ulm Place, Eagle Farm
QLD 4009, AUSTRALIA